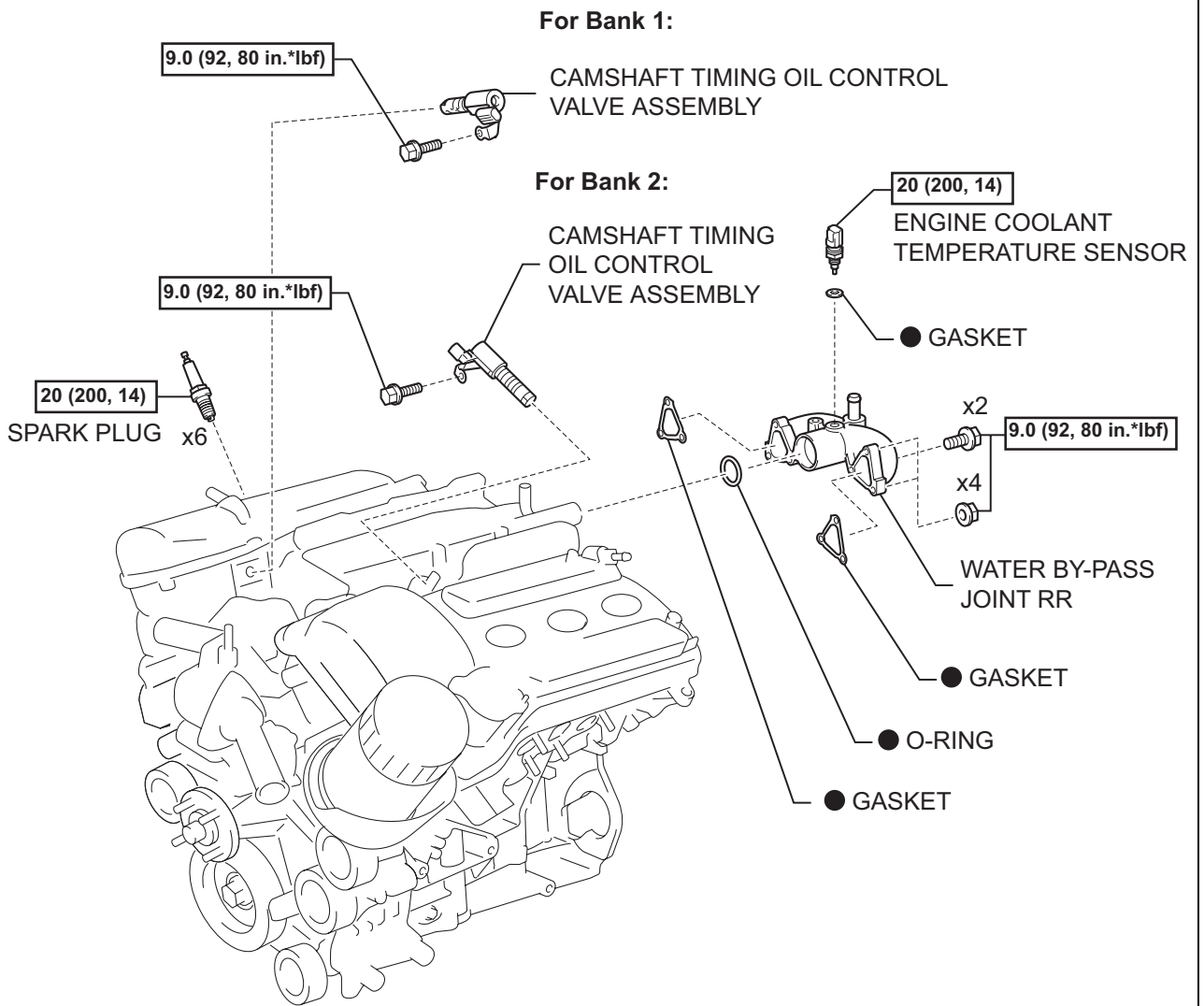


ENGINE UNIT COMPONENTS

EM

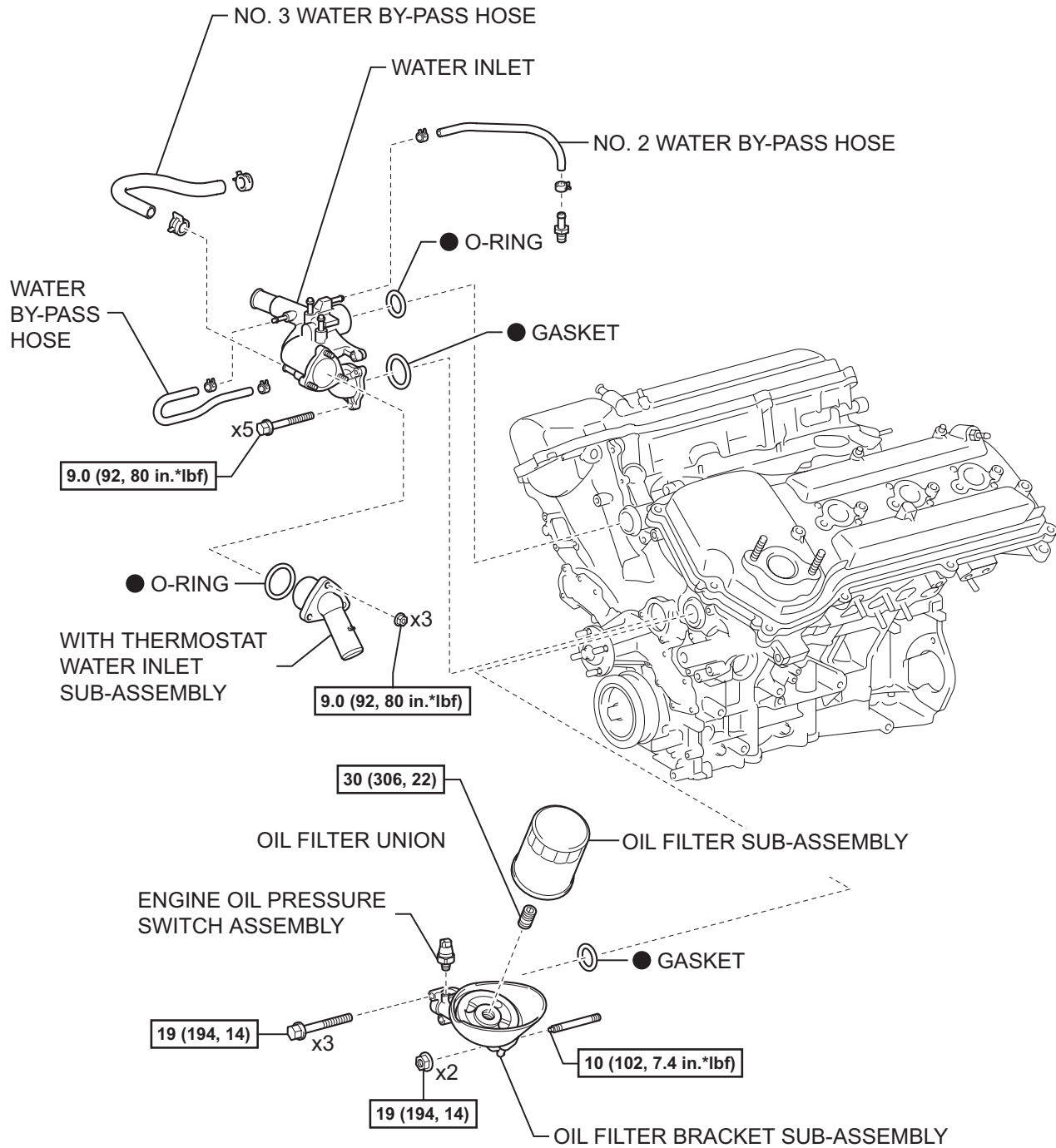


N*m (kgf*cm, ft*lbf) : Specified torque

● Non-reusable part

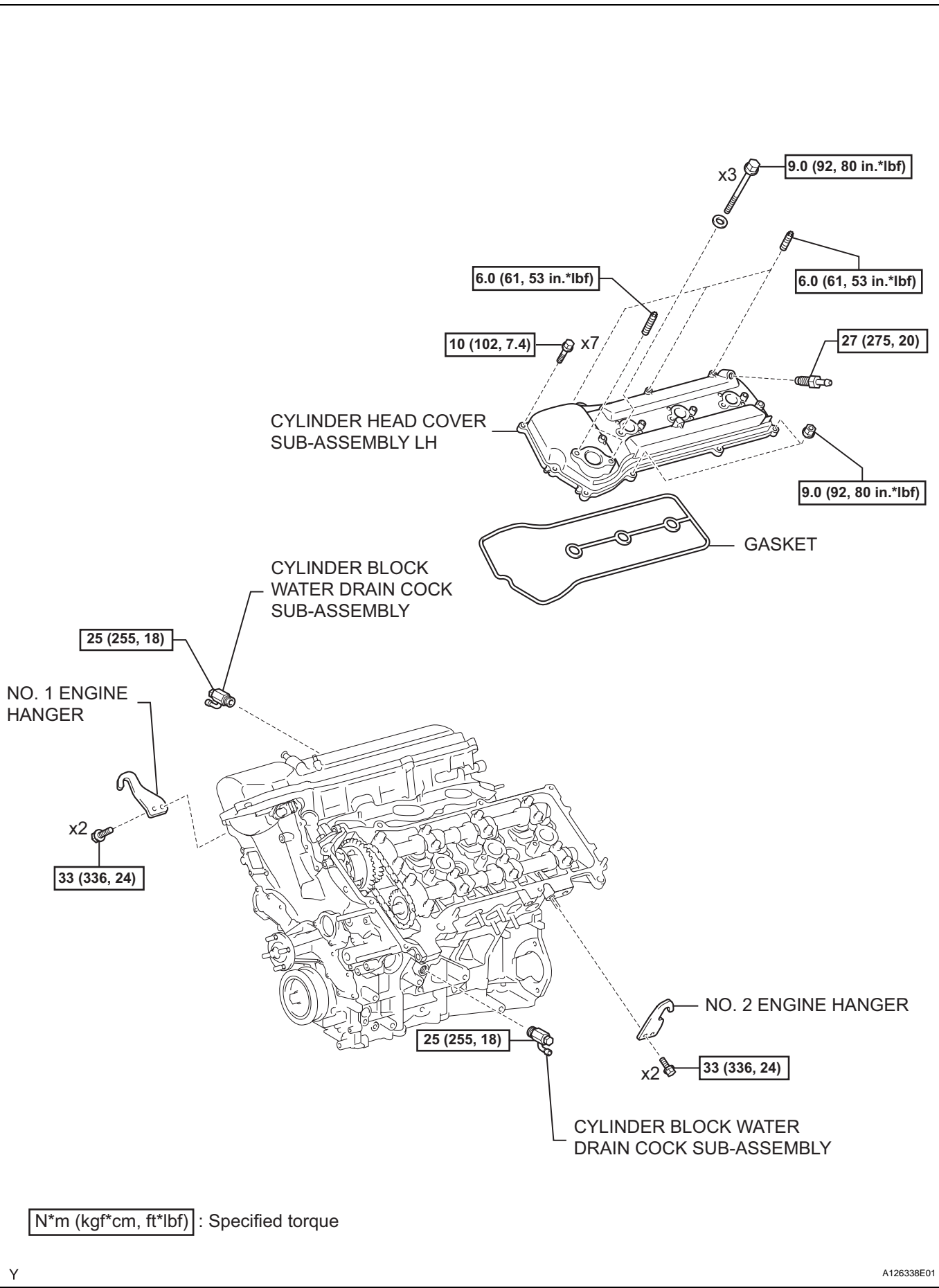
Y

EM

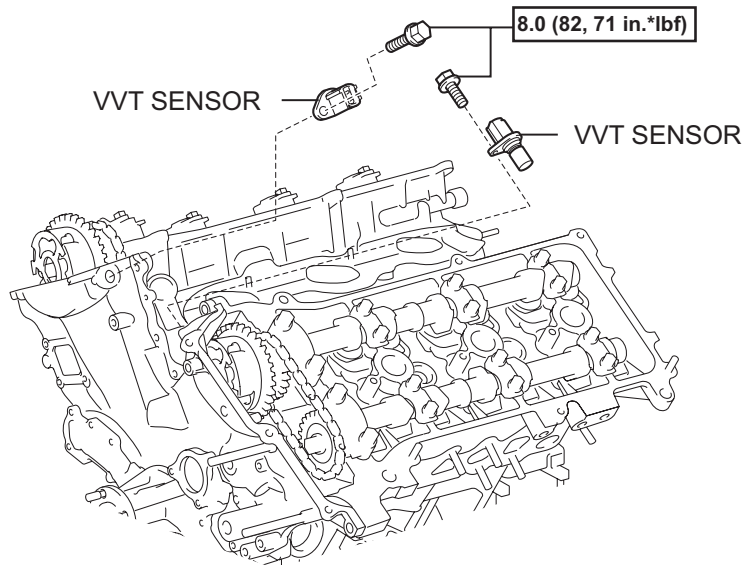
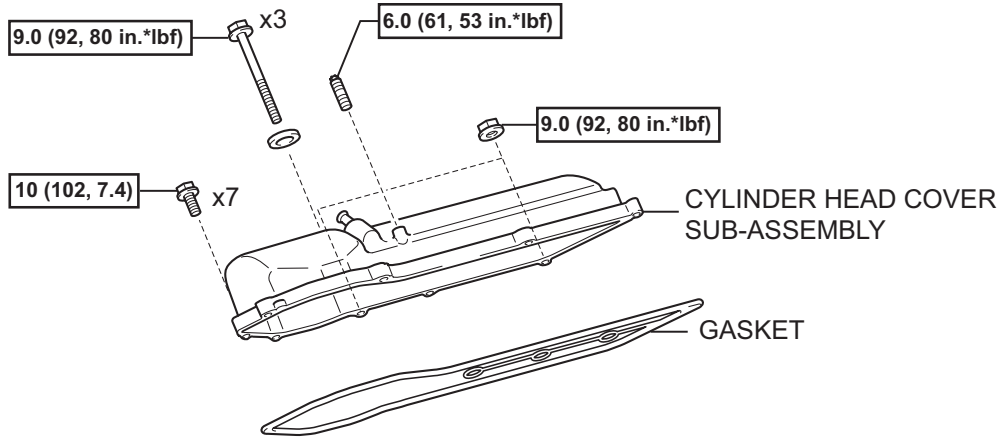


$\boxed{\text{N}^*\text{m (kgf}^*\text{cm, ft}^*\text{lbf)}} : \text{Specified torque}$

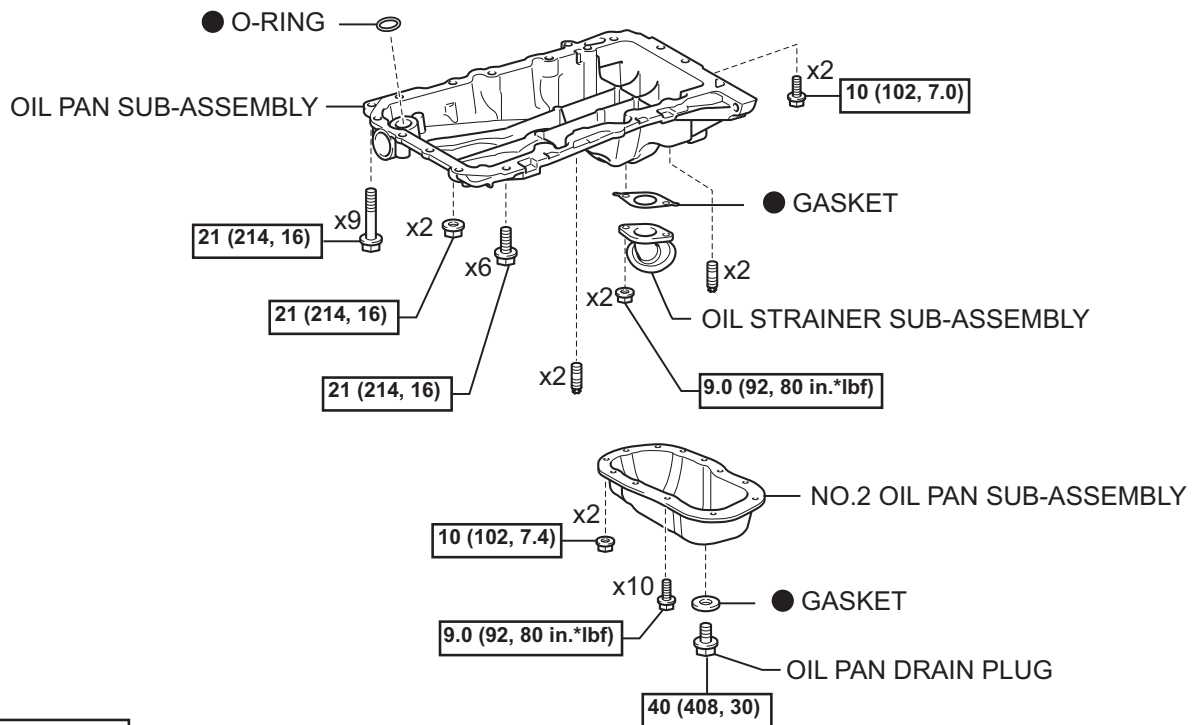
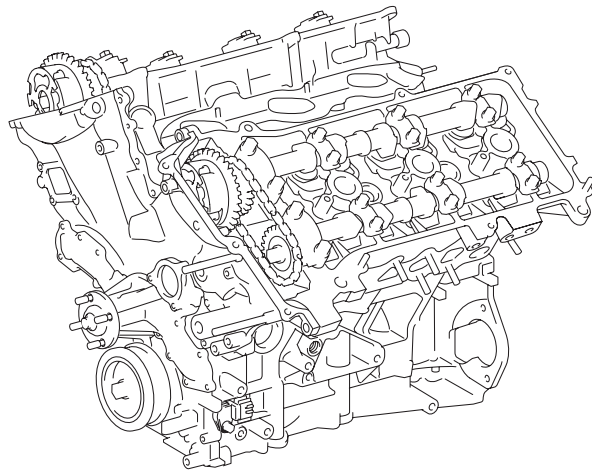
● Non-reusable part



EM



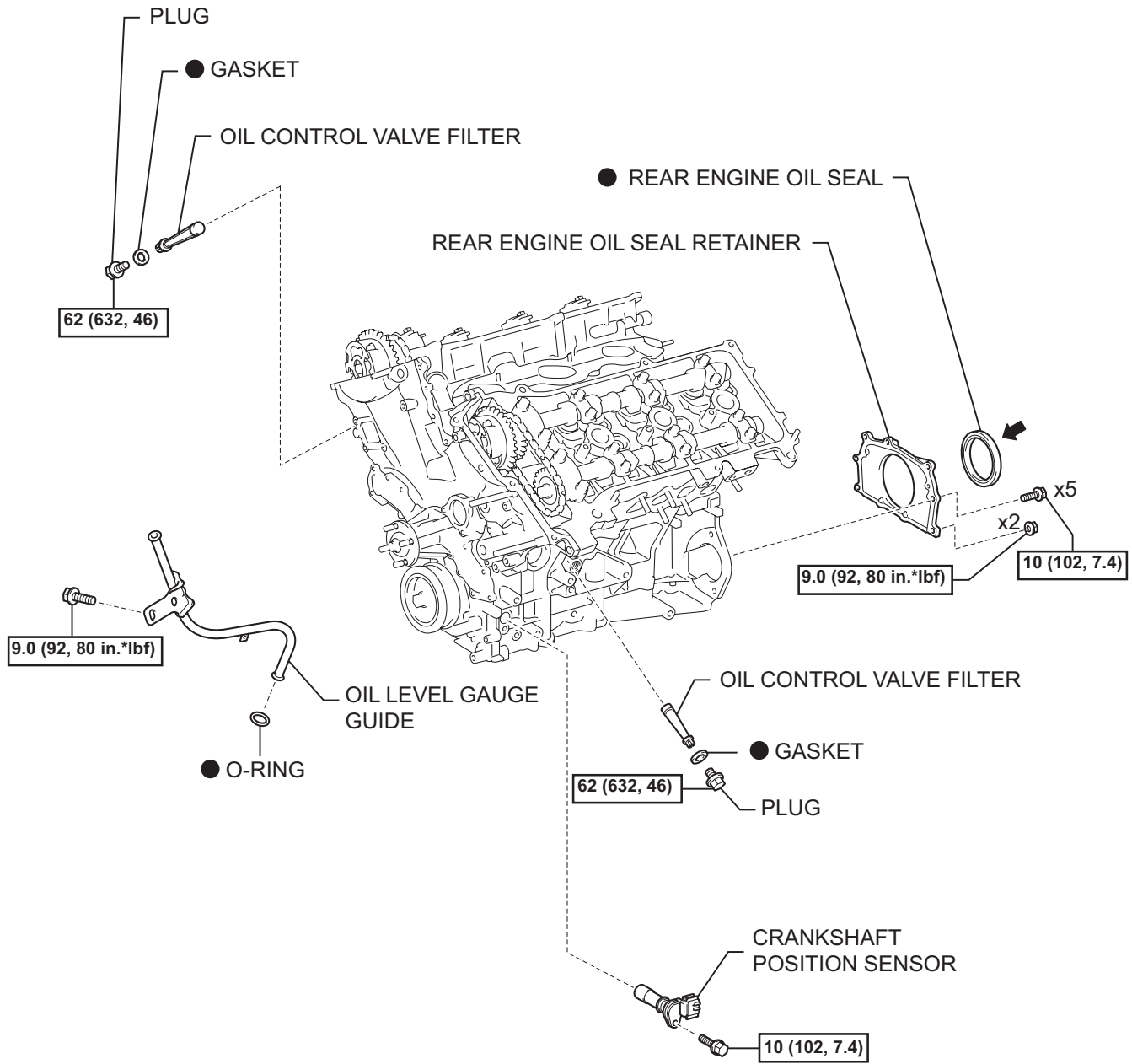
N*m (kgf*cm, ft*lbf) : Specified torque



N*m (kgf*cm, ft*lbf) : Specified torque

● Non-reusable part

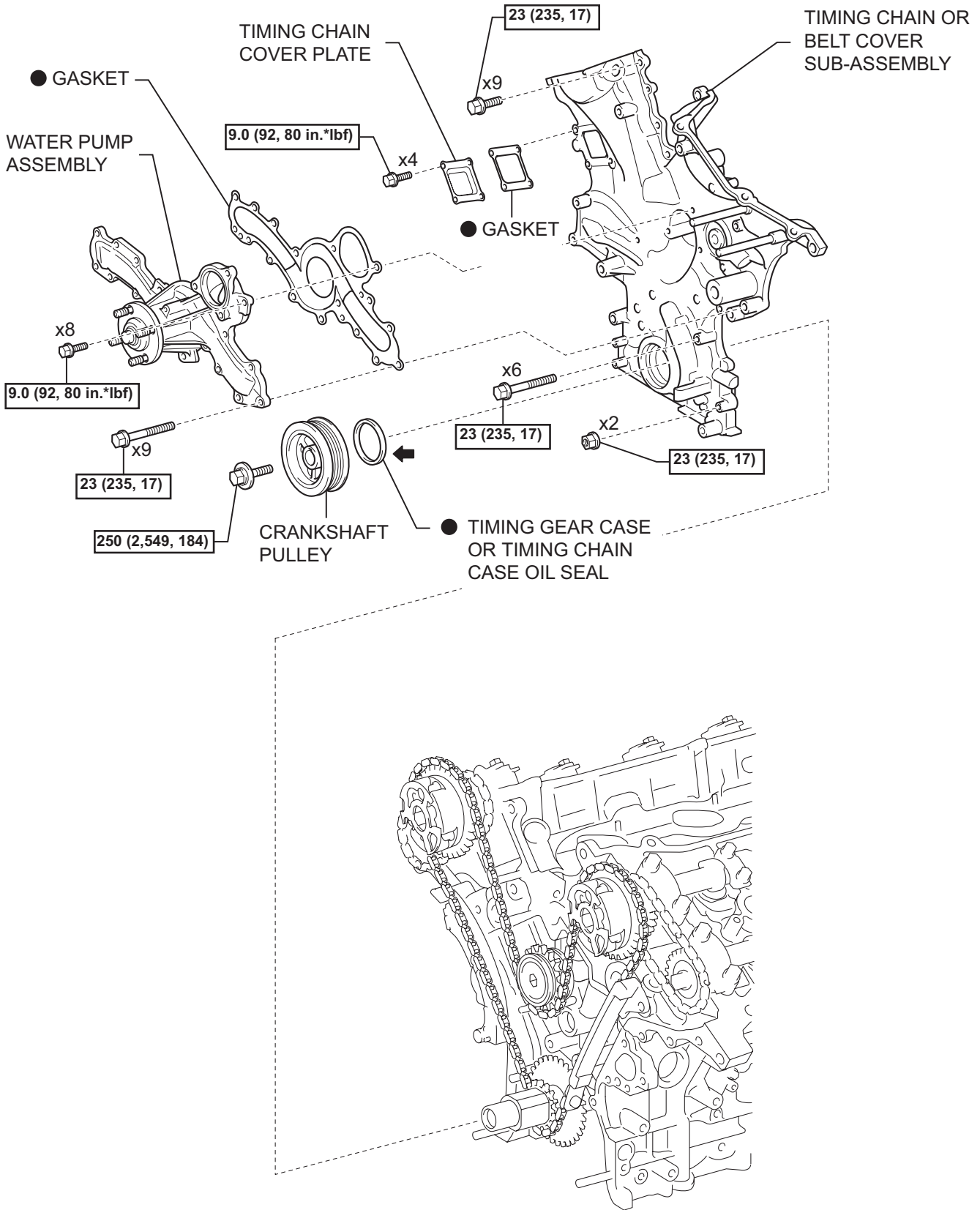
EM



N*m (kgf*cm, ft*lbf) : Specified torque

● Non-reusable part ← Apply MP grease

EM



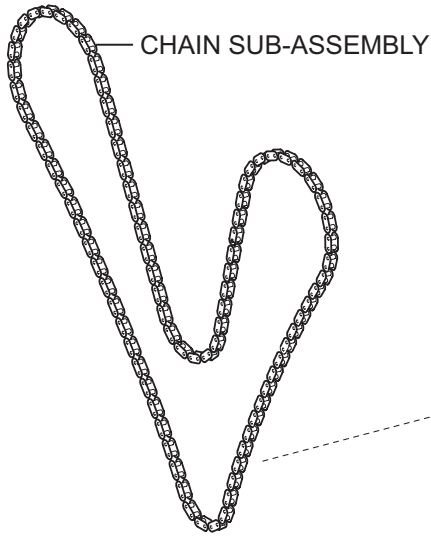
N*m (kgf*cm, ft*lbf) : Specified torque

● Non-reusable part

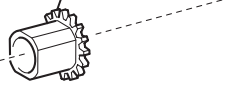
← Apply MP grease

Y

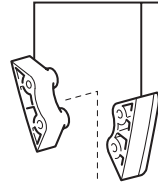
EM



CAMSHAFT TIMING GEAR OR SPROCKET



NO. 2 CHAIN VIBRATION DAMPER

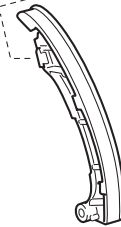


CHAIN TENSIONER SLIPPER

10 (102, 7.4)



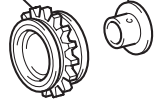
NO. 1 CHAIN TENSIONER ASSEMBLY



NO. 1 IDLE GEAR SHAFT

NO. 1 IDLE GEAR

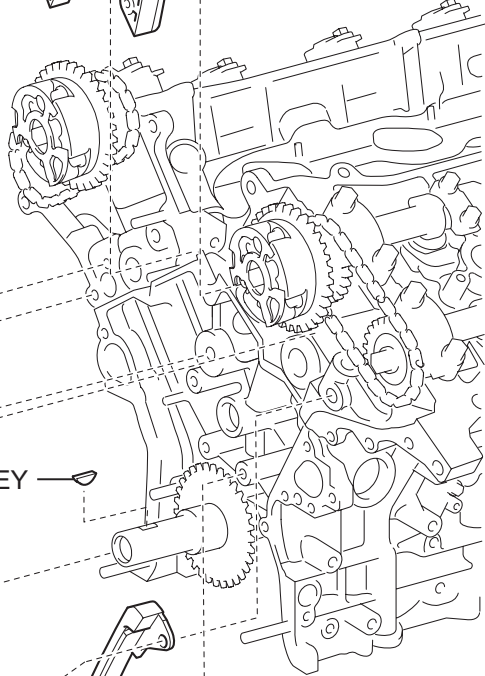
60 (612, 44)



NO. 2 IDLE GEAR SHAFT

O-RING

KEY



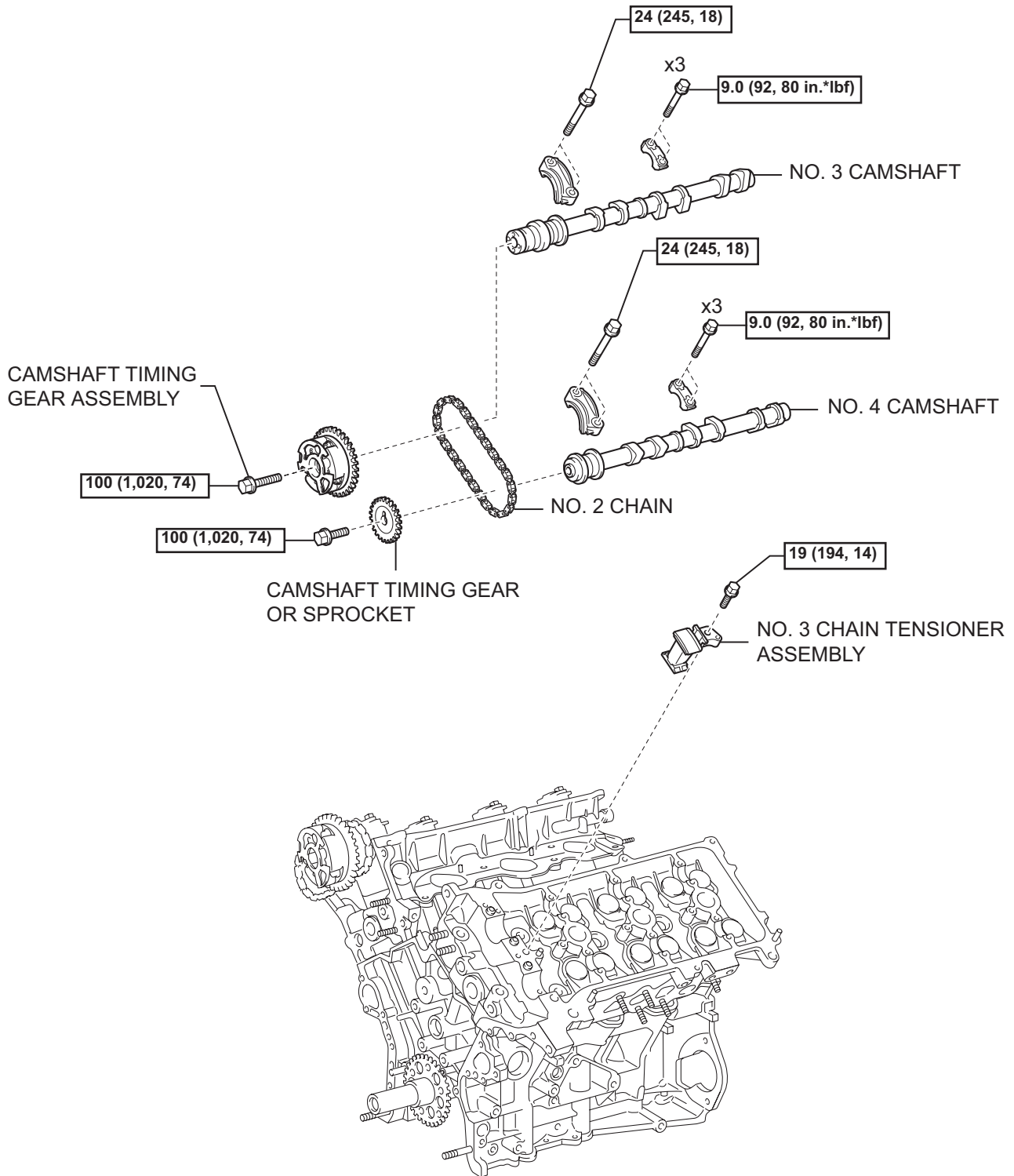
NO. 1 CHAIN VIBRATION DAMPER

19 (194, 14)



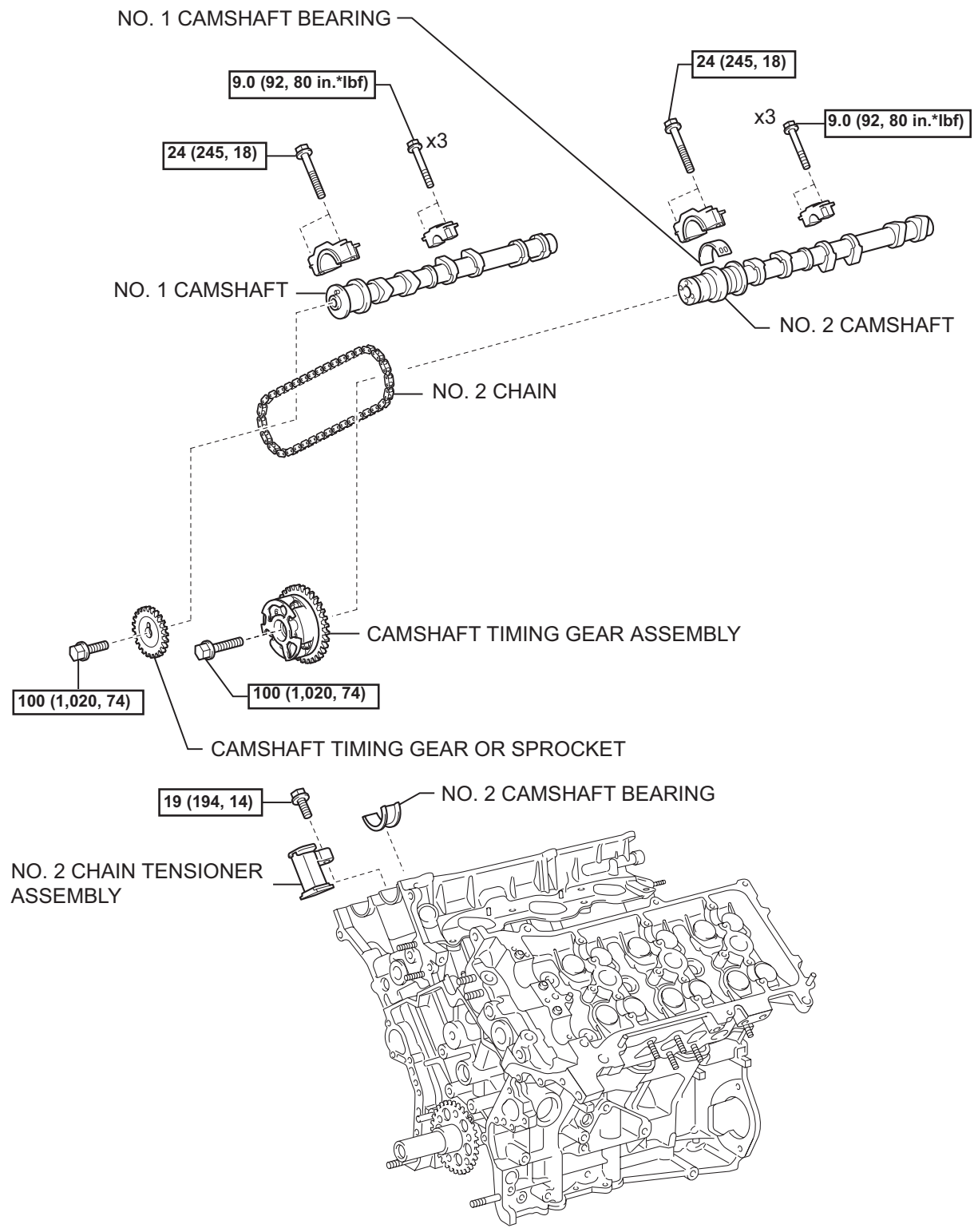
N*m (kgf*cm, ft*lbf) : Specified torque

● Non-reusable part

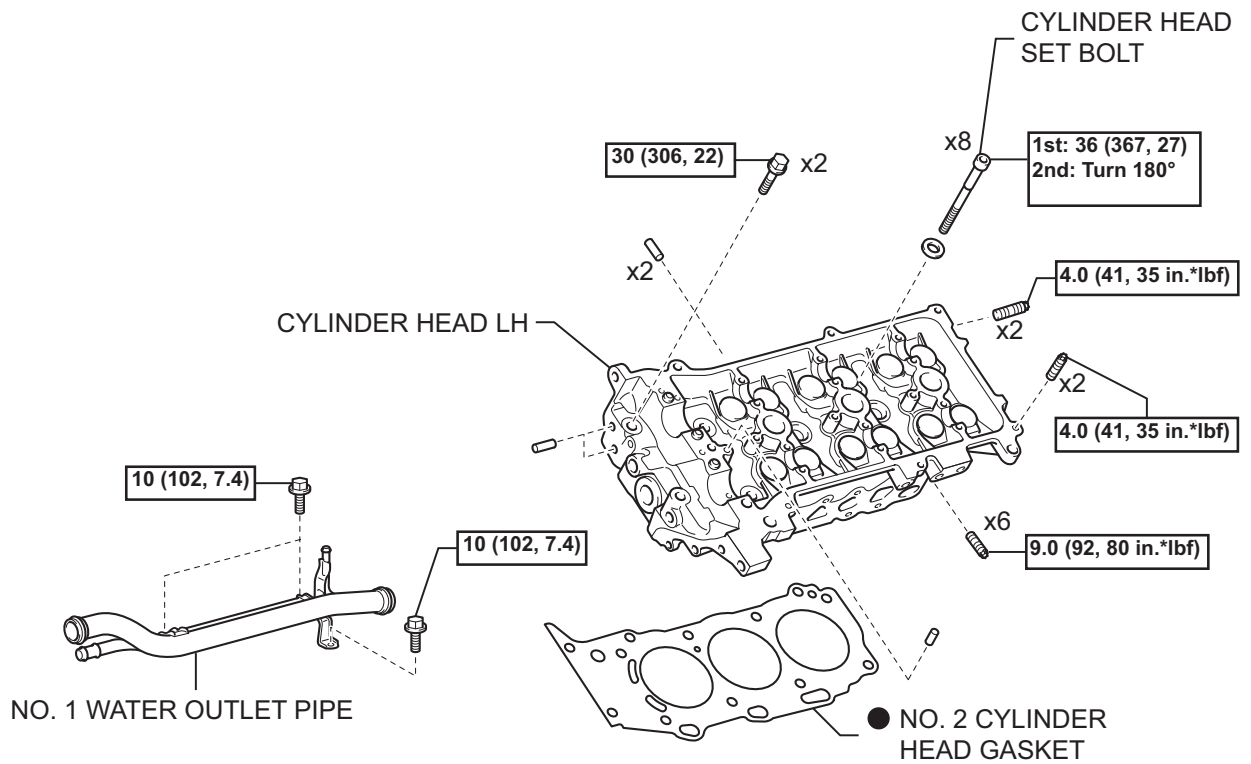


N*m (kgf*cm, ft*lbf) : Specified torque

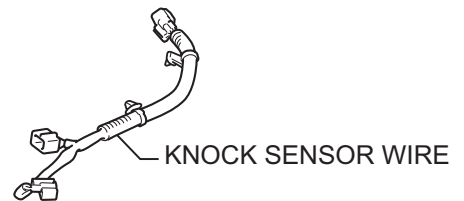
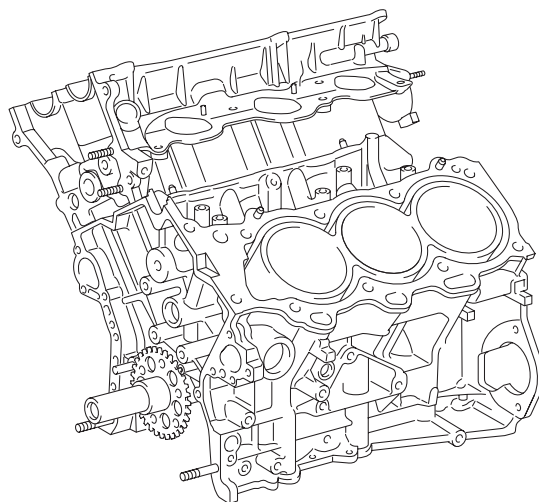
EM



N*m (kgf*cm, ft*lbf) : Specified torque



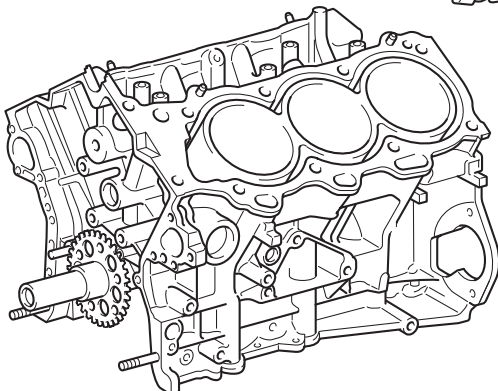
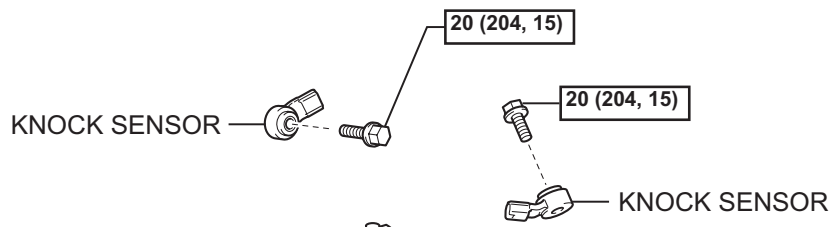
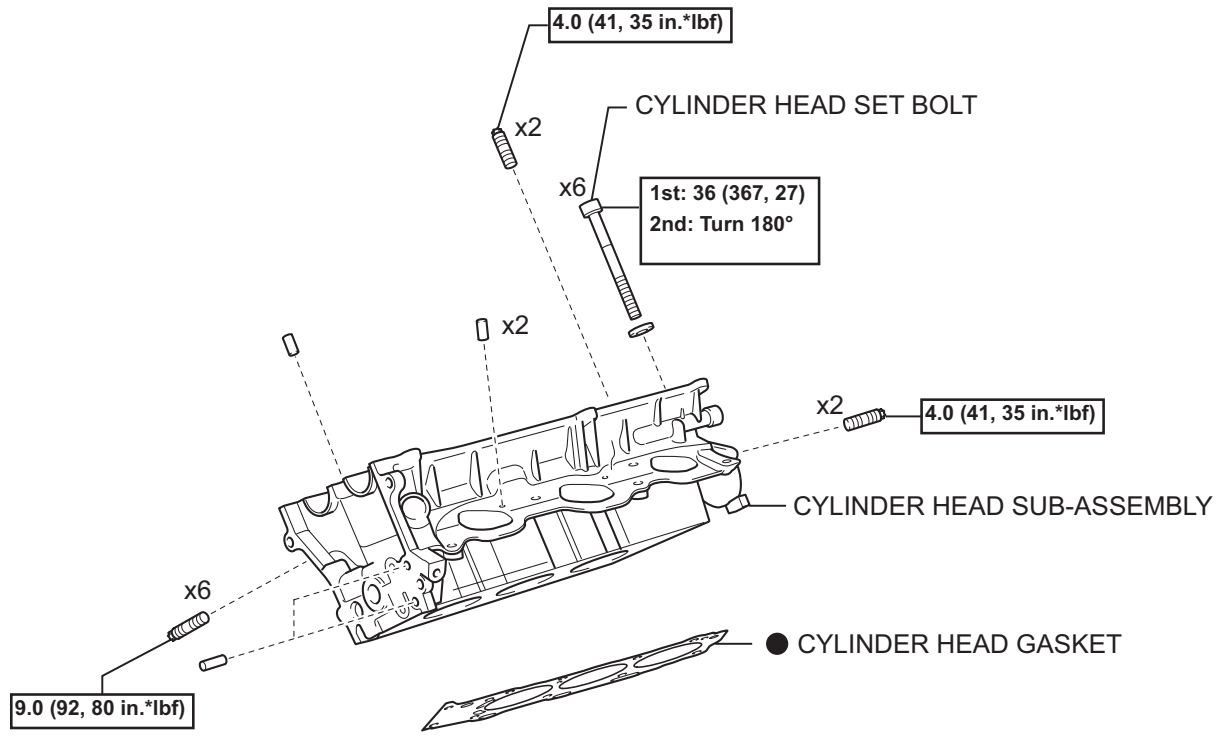
EM



N*m (kgf*cm, ft*lbf) : Specified torque

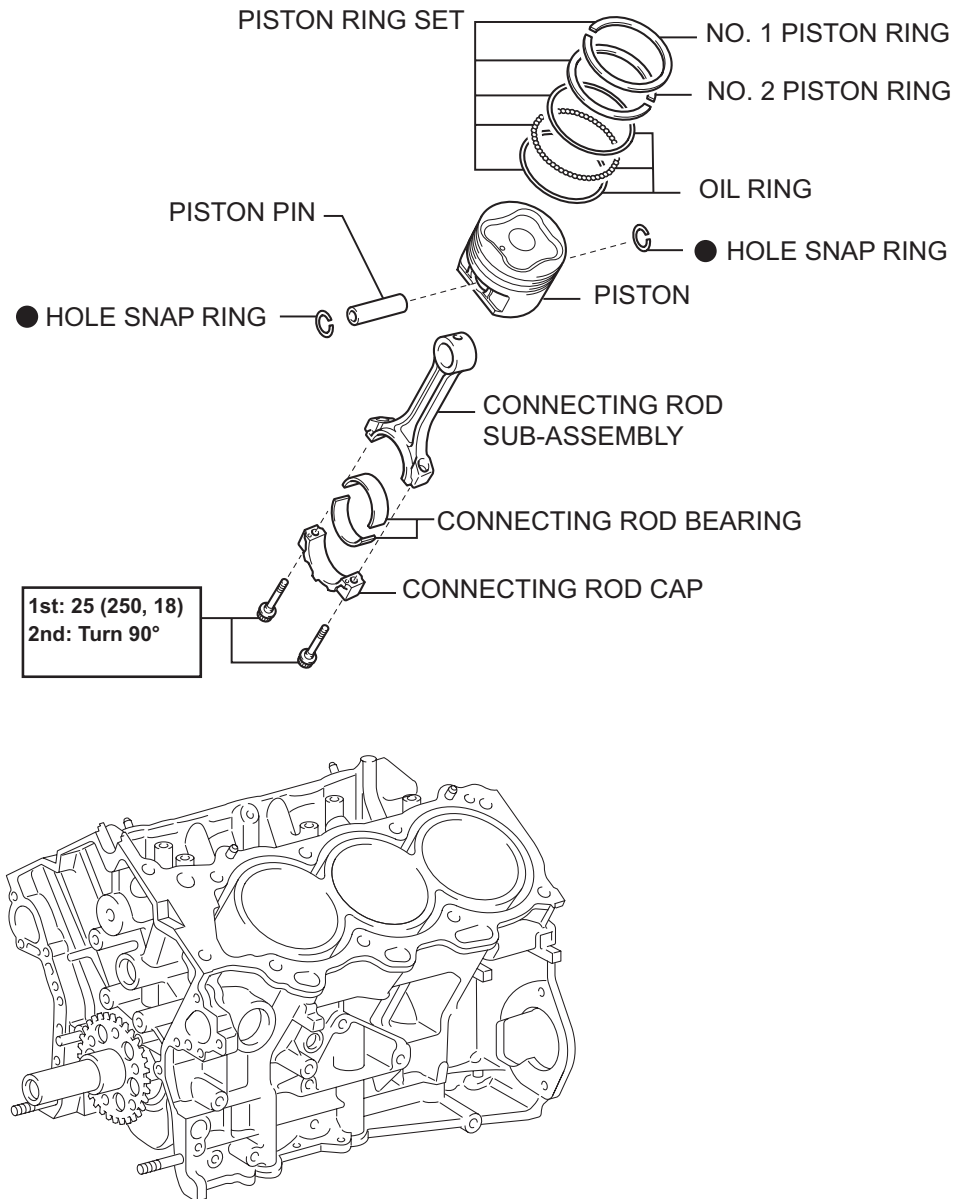
● Non-reusable part

EM



N*m (kgf*cm, ft*lbf) : Specified torque

● Non-reusable part

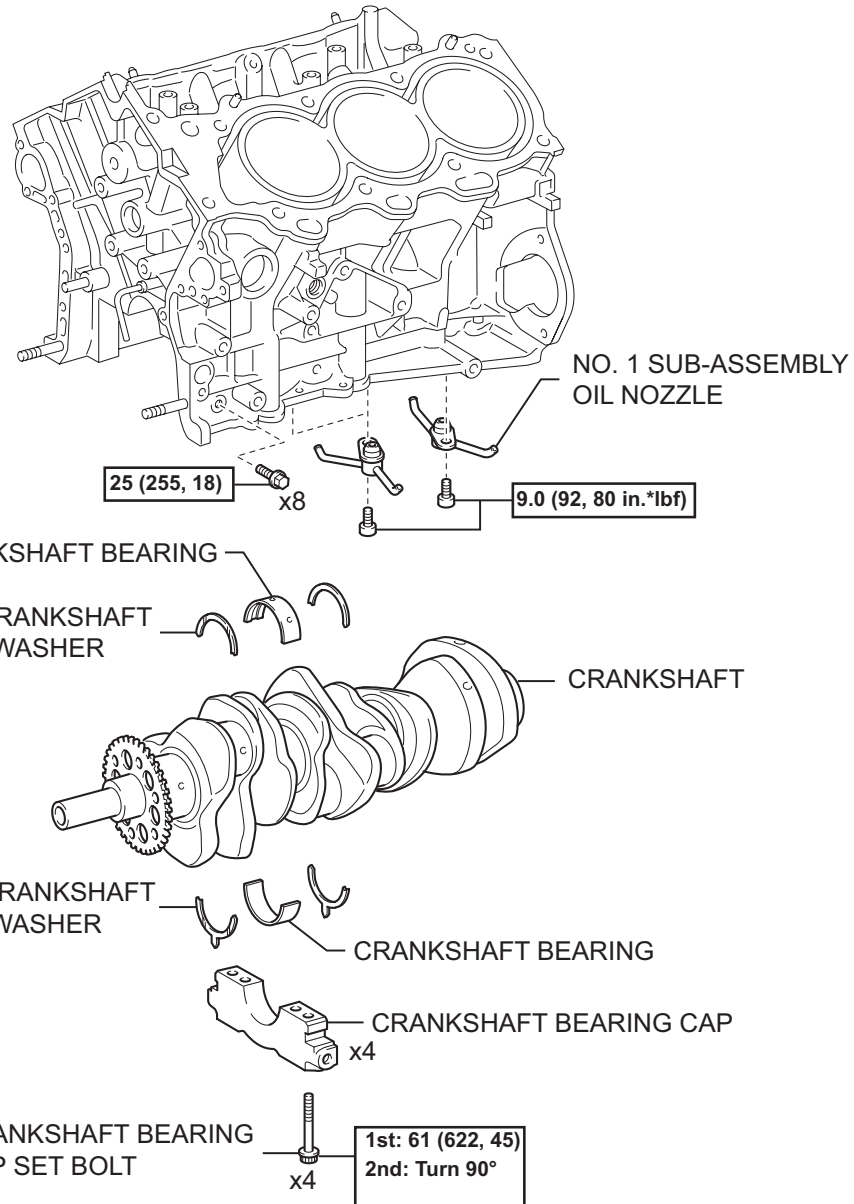


EM

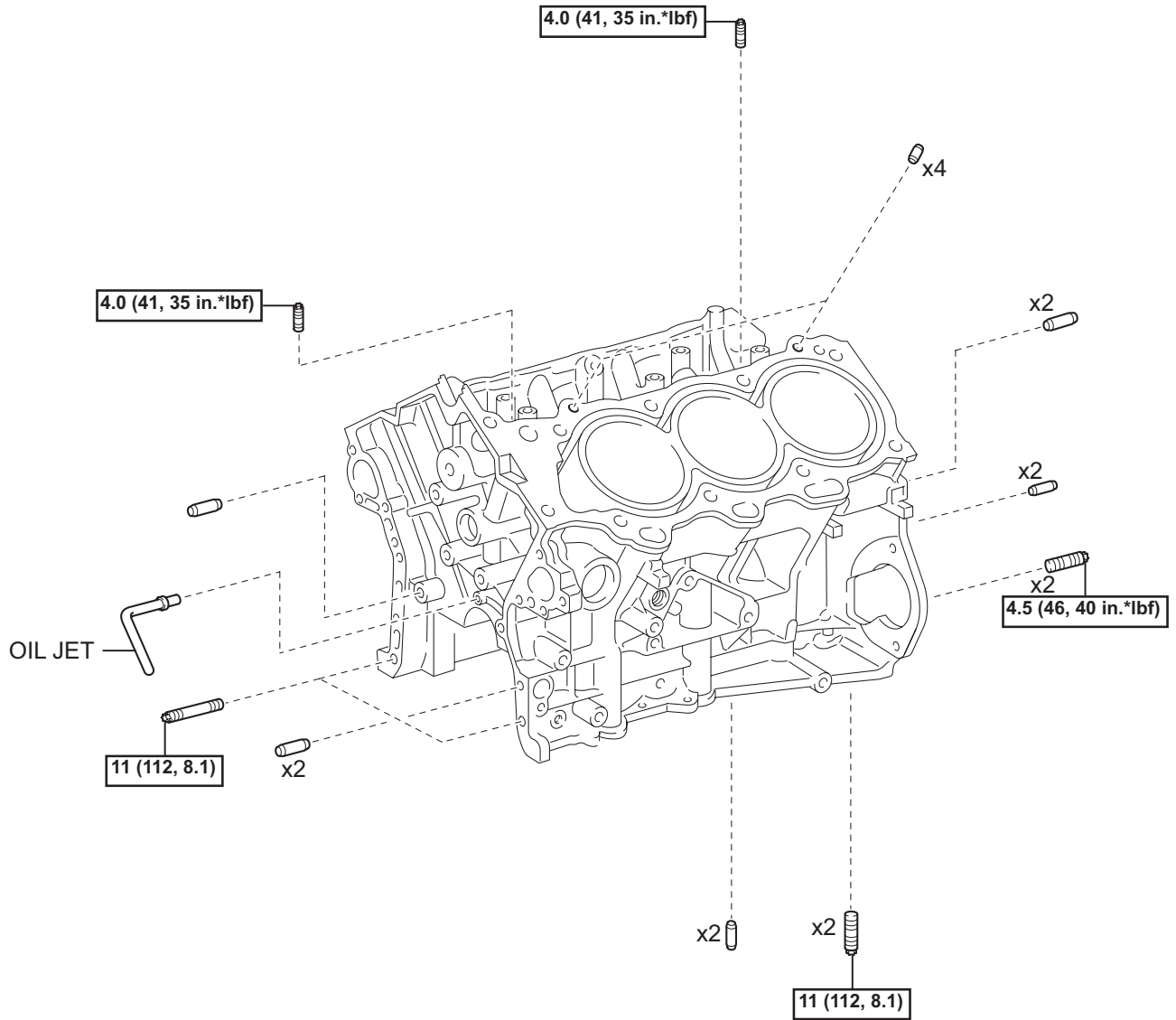
N*m (kgf*cm, ft*lb) : Specified torque

● Non-reusable part

EM



N*m (kgf*cm, ft*lbf) : Specified torque



N*m (kgf*cm, ft*lbf) : Specified torque